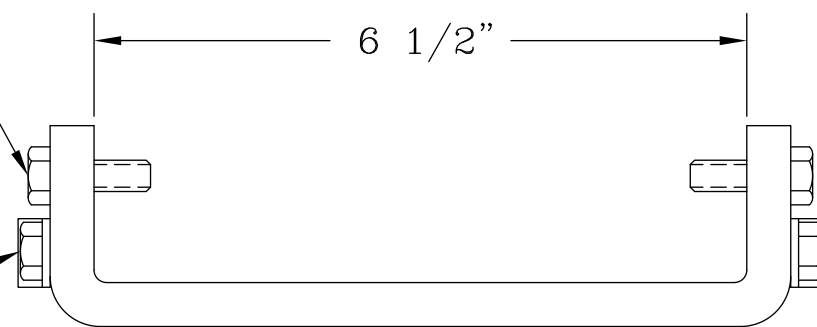
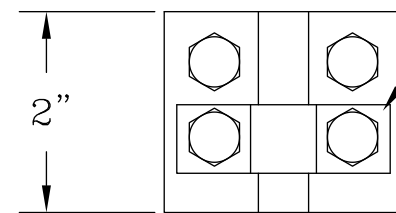


5/16-18 UNC X 1" LG.
CHANNEL ALIGNMENT/LOCKING
BOLTS (4X)




STRAP CLIP, 14 GAUGE (2X)



5/16-18 UNC X 1/2" LG.
CLAMPING BOLTS (4X)

NOTES:

1. MATERIAL: 1018 HOT ROLLED STEEL
2. FINISH: ZINC PLATED
3. PATENT PENDING
4. THE HANGER MODE APPLIES TO 600 SERIES CHANNELS ONLY.

DIMENSIONS ARE IN INCHES OR MILLIMETERS IN BRACKETS UNLESS OTHERWISE NOTED.						
	BY	DATE	WEIGHT	 3621 INDUSTRIAL PARK DR LENOIR CITY, TN 37771 800-346-3062 www.quazite.com	LOC	
DRN	<i>WRJ</i>	9/20/89	1#		S	
CHK	<i>M&F</i>	9/22/89	SCALE		REV	
ENG	<i>MS</i>	9/22/89	FULL		A	
APR	<i>F.M.S</i>	9/22/89	SIZE		9/89	
DRAWING DESCRIPTION			POLYCAST [®] ALIGNMENT CHAIR			
ESR OR PROJECT NUMBER			DRAWING NUMBER			
89305			DA0633			
SHEET 1 OF 1						